



# INSTALLATION GUIDE

Valkyrie Jarn 240/280/360/420/480





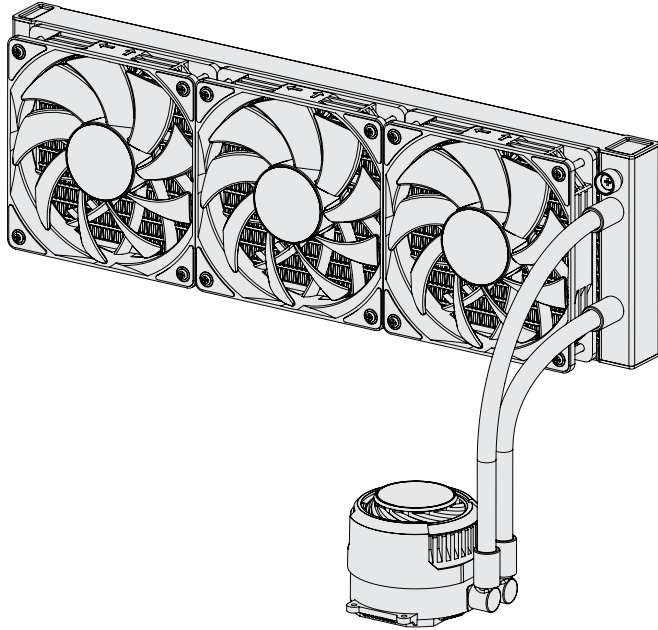
VALK



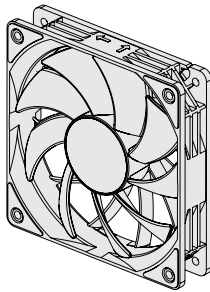


# EN AIO Water Cooling Parts

1x AIO water cooling radiator



Fan

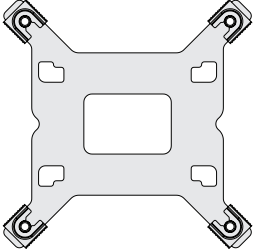
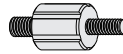


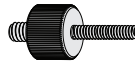
2 x with Valkyrie Jarn 240  
3 x with Valkyrie Jarn 360  
4 x with Valkyrie Jarn 480

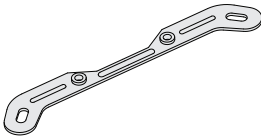
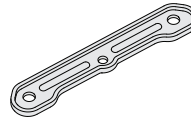
2 x with Valkyrie Jarn 280  
3 x with Valkyrie Jarn 420

1x Wire Kit & Hub Set



**1x Intel Backplate**

**4x Intel / AMD Bolts**

**4x Nuts**

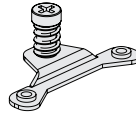
**4x LGA2011 Bolts**

**4x Bracket Installation Screws**

**2x Intel Brackets**

**2x AMD Brackets**

**Fan screw**

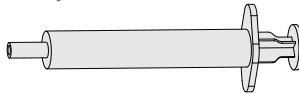

120 x 4 / 140 x 4 / 240 x 8 / 280 x 8  
360 x 12 / 420 x 12 / 480 x 16

**Fan screw  
(extended)**


120 x 4 / 140 x 4 / 240 x 8 / 280 x 8  
360 x 12 / 420 x 12 / 480 x 16

**2x AMD fastener**

**Radiator screw**


120 x 4 / 140 x 4 / 240 x 8 / 280 x 8  
360 x 12 / 420 x 12 / 480 x 16

**1x Thermally conductive  
silicone grease**


\*Please check the received goods to make sure the parts are complete.



# ▶▶ WATER COOLING ◀◀

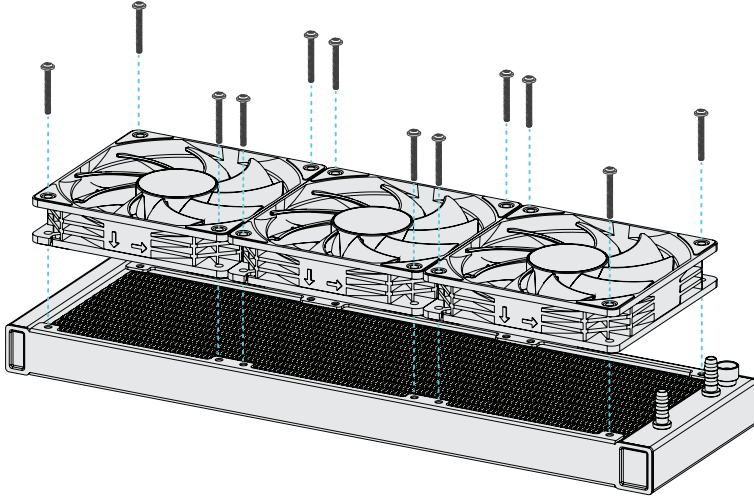


# Radiator Installation

## Step 1: Install fan

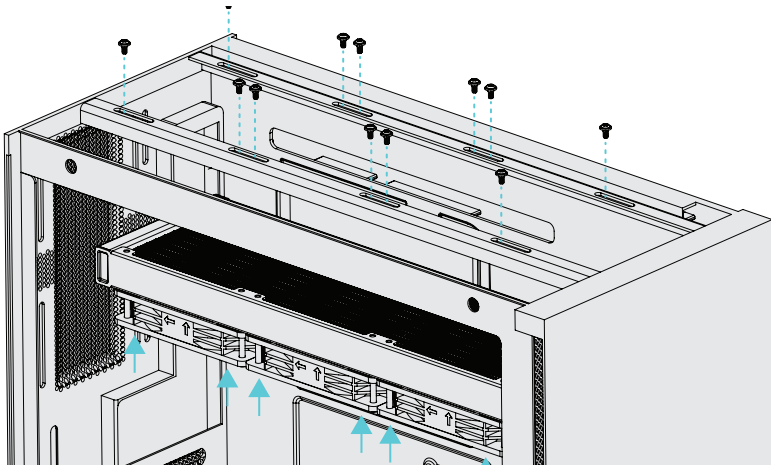
Use the fan screws to secure the fan to the radiator.

\*Please use the shorter fan screws. DO NOT use extended screws to secure the cooling fan.



## Step 2: Install radiator

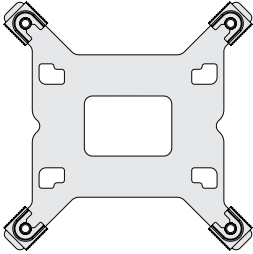
Use the radiator screws to secure the radiator to the case.



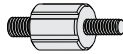
# EN Intel LGA1200/1700 Installation

We have marked the parts required for installing the Intel LGA1200/1700 platform for you.

1x Intel Backplate



4x Intel / AMD Bolts



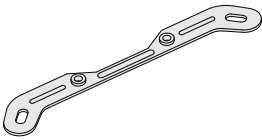
4x Nuts



4x Bracket Installation Screws



2x Intel Brackets

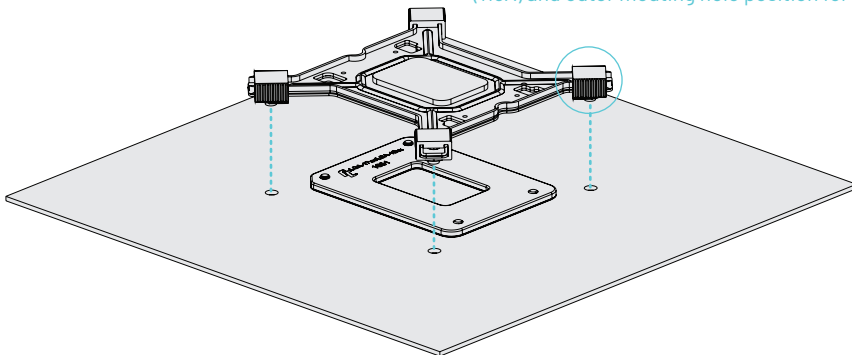


## Step 1: Install the backplate

1. Align the backplate to the corresponding platform holes.
2. Install the backplate onto the back of the motherboard.

\* You may slide it to adjust for alignment with corresponding platform holes.

\* Use the inner mounting hole position for 1200 (115X) and outer mounting hole position for 1700.



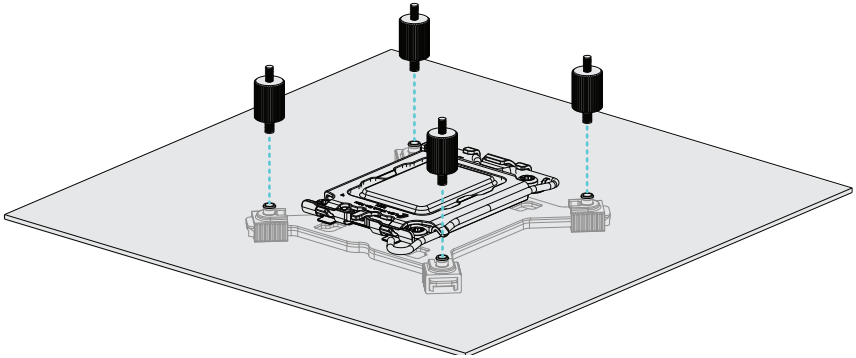


## Step 2: Install screws

EN

Install Intel/AMD bolts to the motherboard.

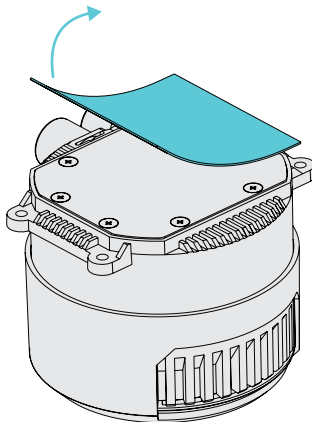
\*The larger end of the screw faces down.



## Step 3: Removing protective sticker

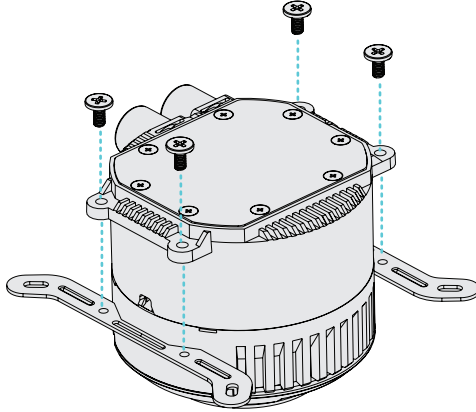
Tear off the protective sticker from the coldplate.

\* it is critical to the cooling performance.



## EN Step 4: Install bracket

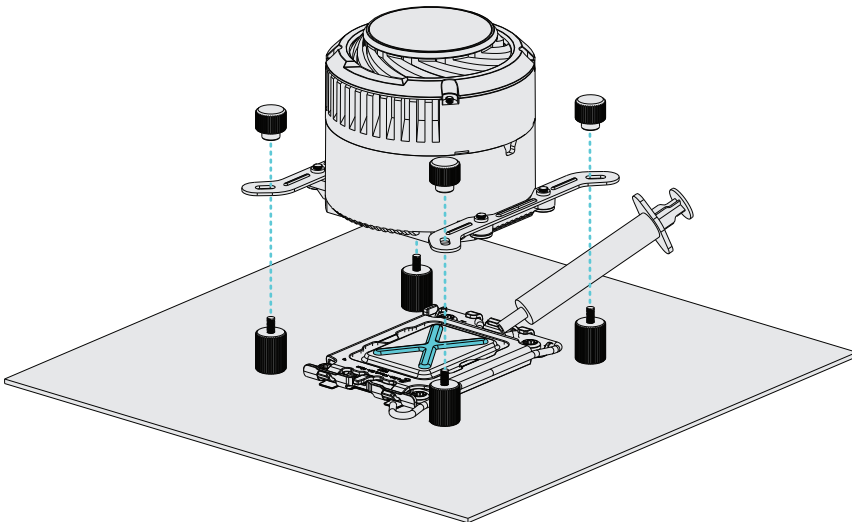
Use bracket bolts to install the bracket to the water block.



---

## Step 5: Install water block

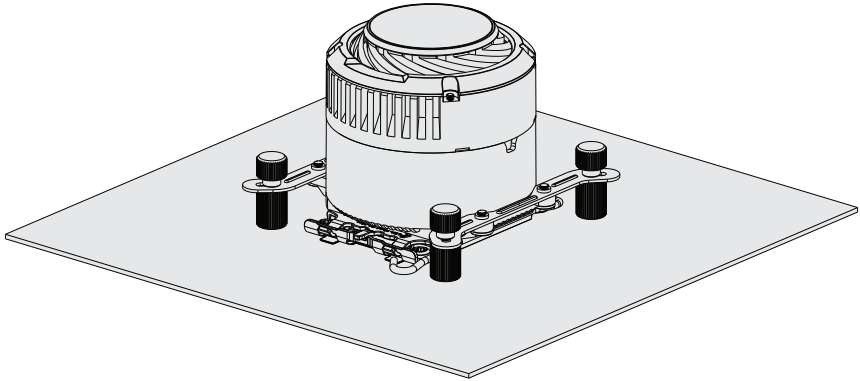
1. Spread the thermal grease on the CPU surface.
2. Put the water block onto the studs and use nuts to fix it.



## Step 6: Complete installation

EN

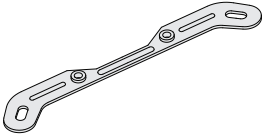
Please refer to the "Wiring" for wiring.



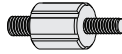
# EN Intel LGA2011/2066 Installation

We have marked the parts required for installing the Intel LGA2011/2066 platform for you.

2x Intel Brackets



4x LGA2011 bolts



4x Nuts

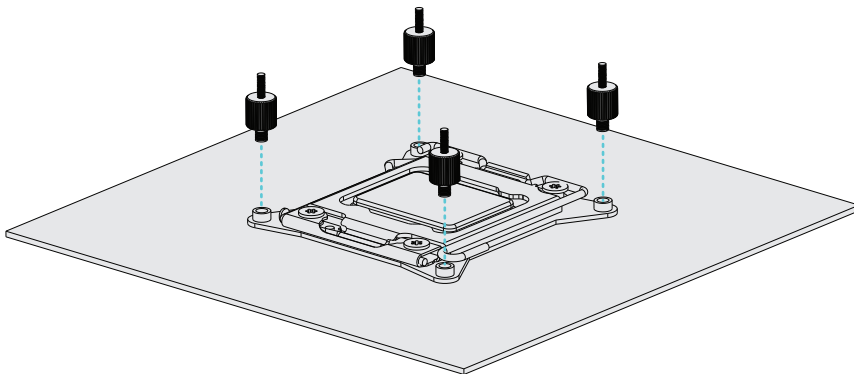


4x Bracket Installation Screws



## Step 1: Install screws

Install Intel LGA2011 bolts to the motherboard.

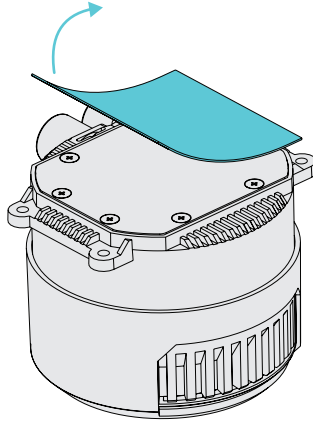


## Step 2: Removing protective sticker

EN

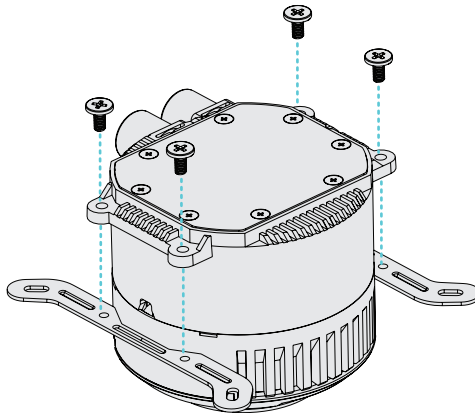
Tear off the protective sticker from the coldplate.

\*it is critical to the cooling performance.



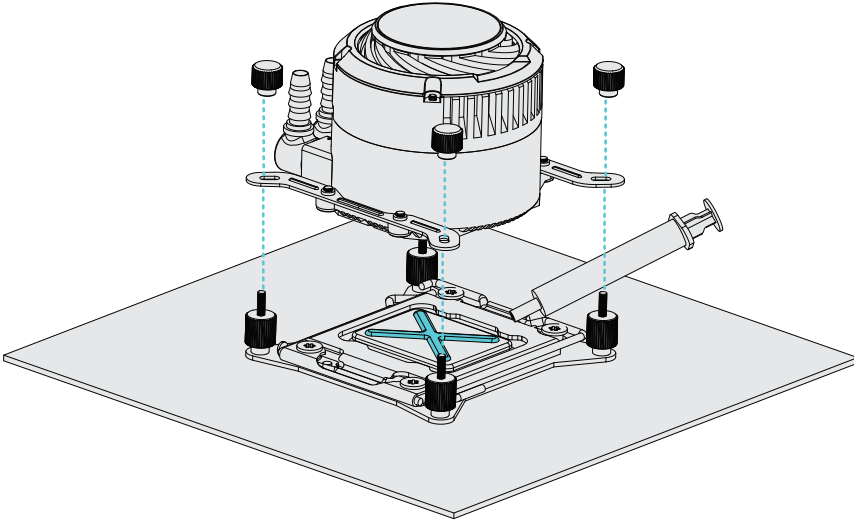
## Step 3: Install bracket

Use bracket bolts to install the bracket to the water block.



## EN Step 4: Install water block

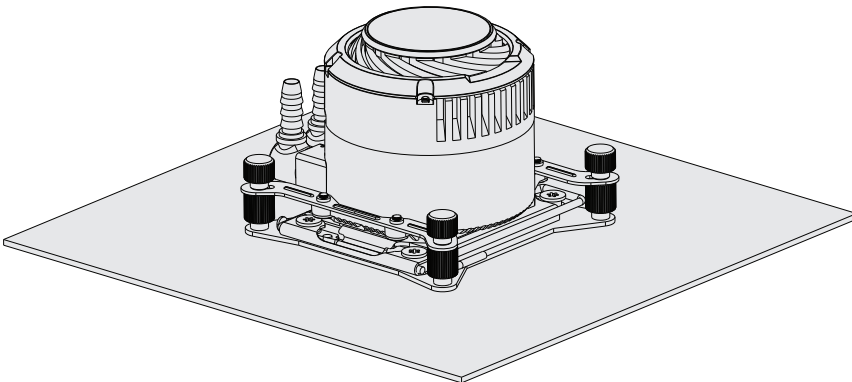
1. Spread the thermal grease on the CPU surface.
2. Put the water block onto the studs and use nuts to fix it.



---

## Step 5: Complete installation

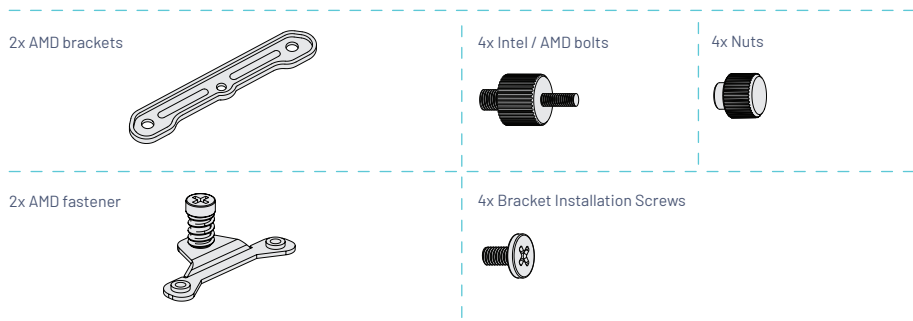
Please refer to the “Wiring” for wiring.





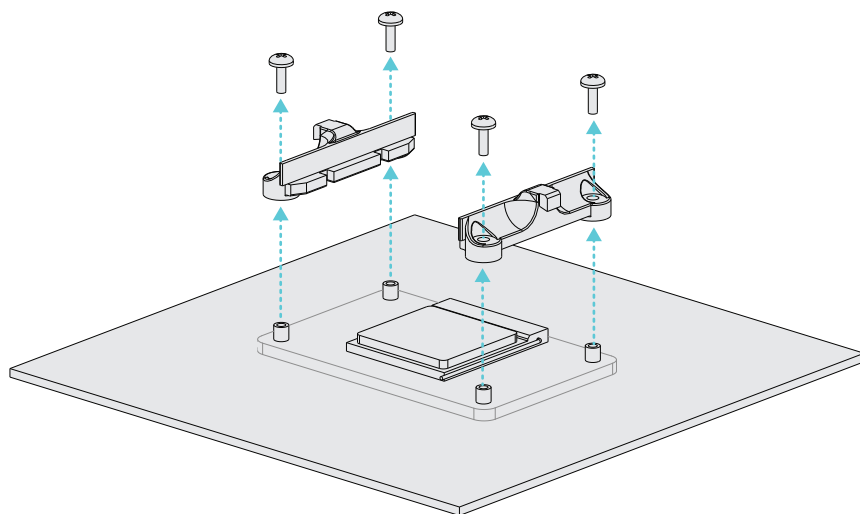
# EN AMD AM4/AM5 Installation

We have marked the parts required for installing the AMD/AM4 platform for you.



## Step 1: Prepare the motherboard

Screw out the 4 bolts. Remove the original bracket on the motherboard. Keep the original backplate.



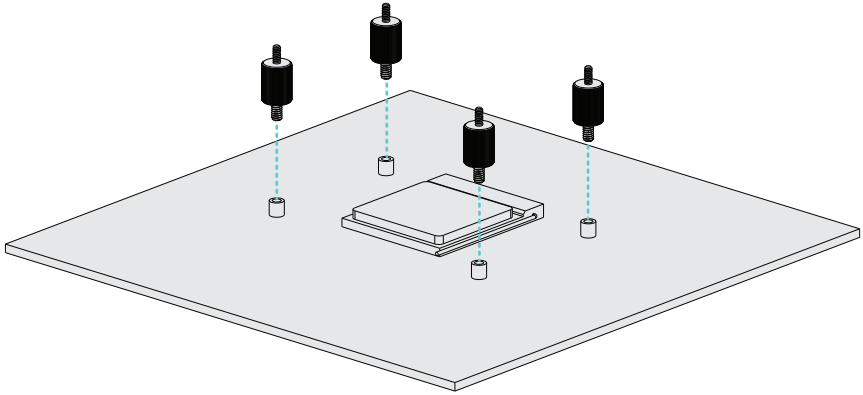


## Step 2: Install screws

EN

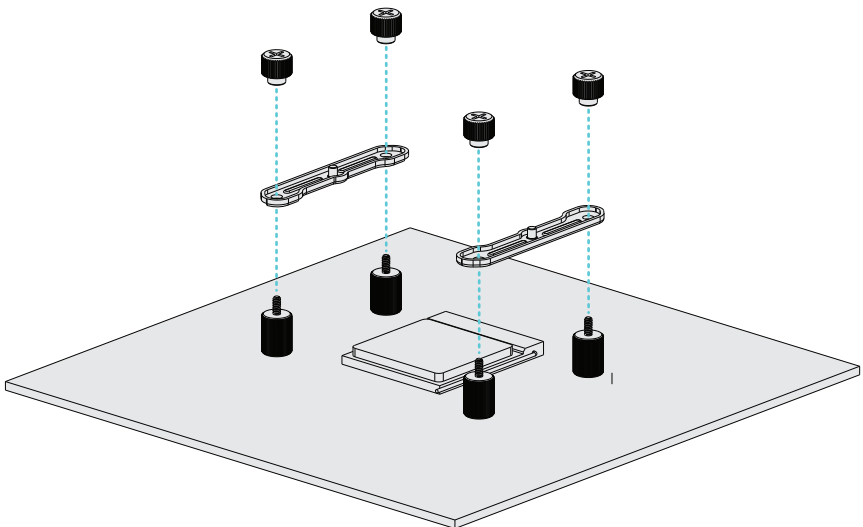
Install Intel/AMD bolts to the motherboard.

\*The larger end of the screw faces down.



## Step 3: Install brackets

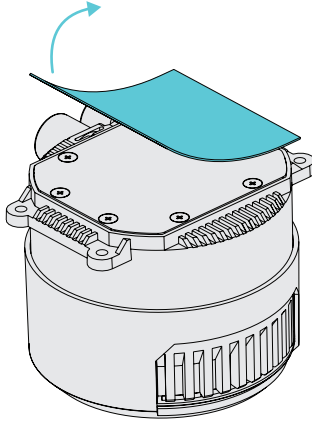
Install AMD brackets onto the screws and tighten them with nuts.



## EN Step 4: Removing protective sticker

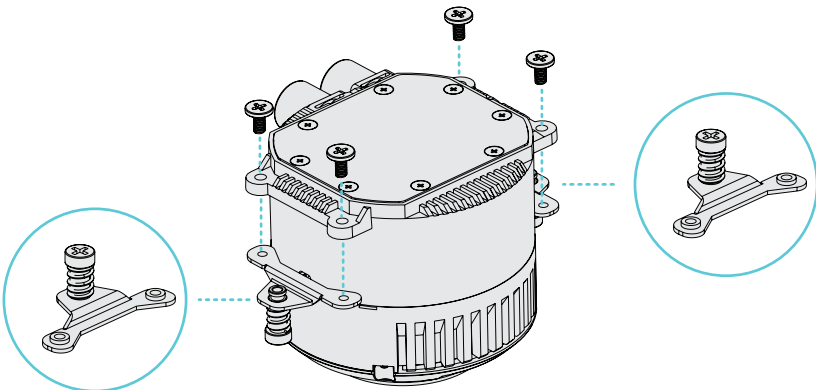
Tear off the protective sticker from the coldplate.

\*it is critical to the cooling performance.



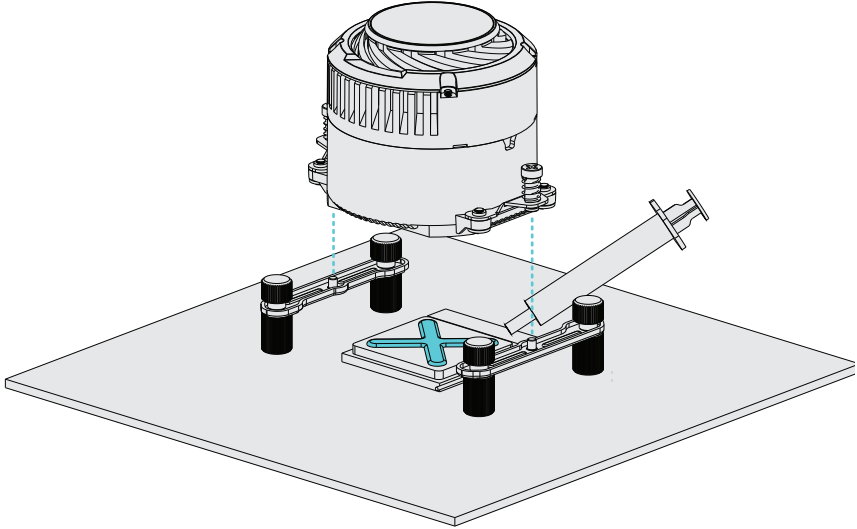
## Step 5: Install AMD fastener

Use bracket bolts to install the AMD fastener to the water block.



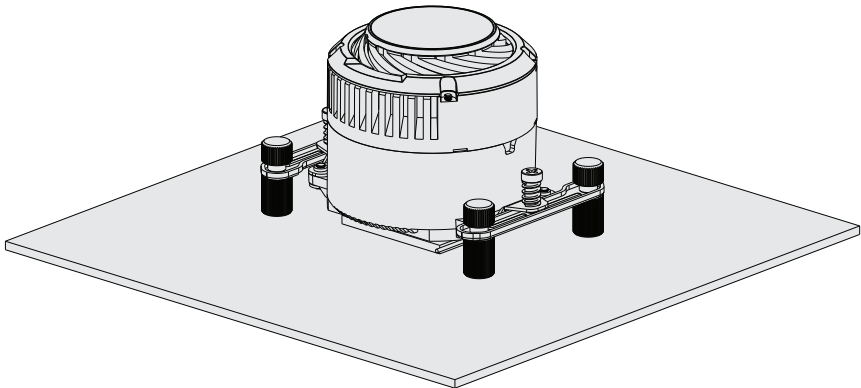
## Step 6: Install Water Block

1. Spread the thermal grease on the CPU surface.
2. Align the bracket to the holes and tighten the spring screws on both ends.



## Step 7: Complete installation

Please refer to the "Wiring" for wiring.





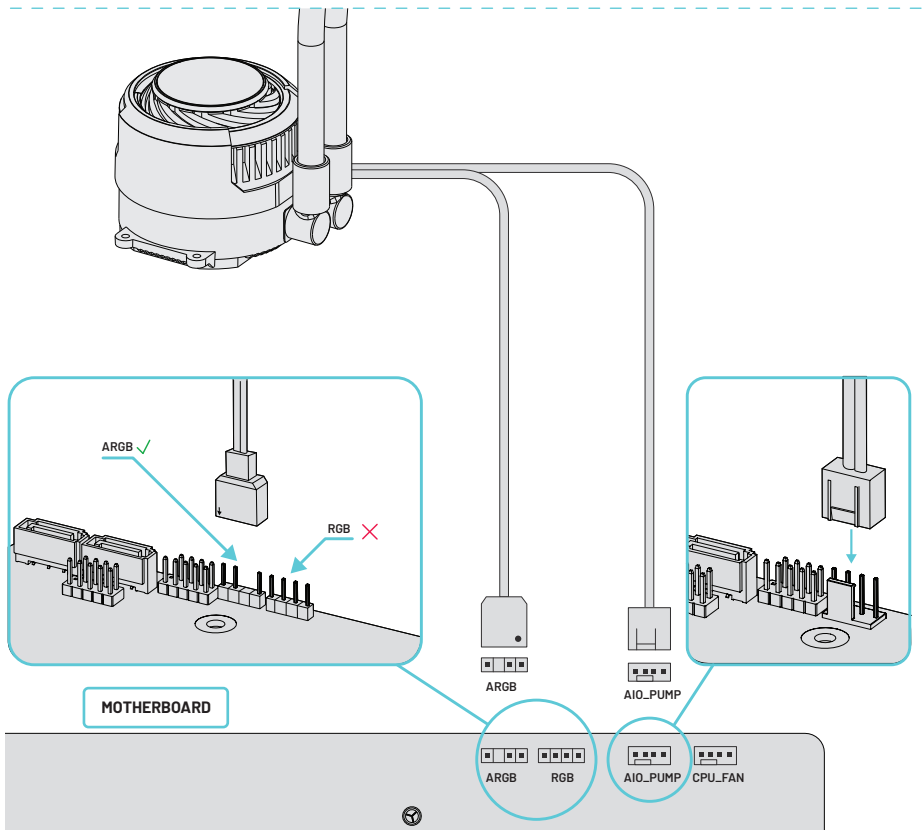
# WIRING



## Connecting the water block to the motherboard

1. Connect the water pump 4PIN connector into the AIO\_PUMP header on the motherboard.
2. Plug the water block A-RGB connector into the A-RGB header on the motherboard.

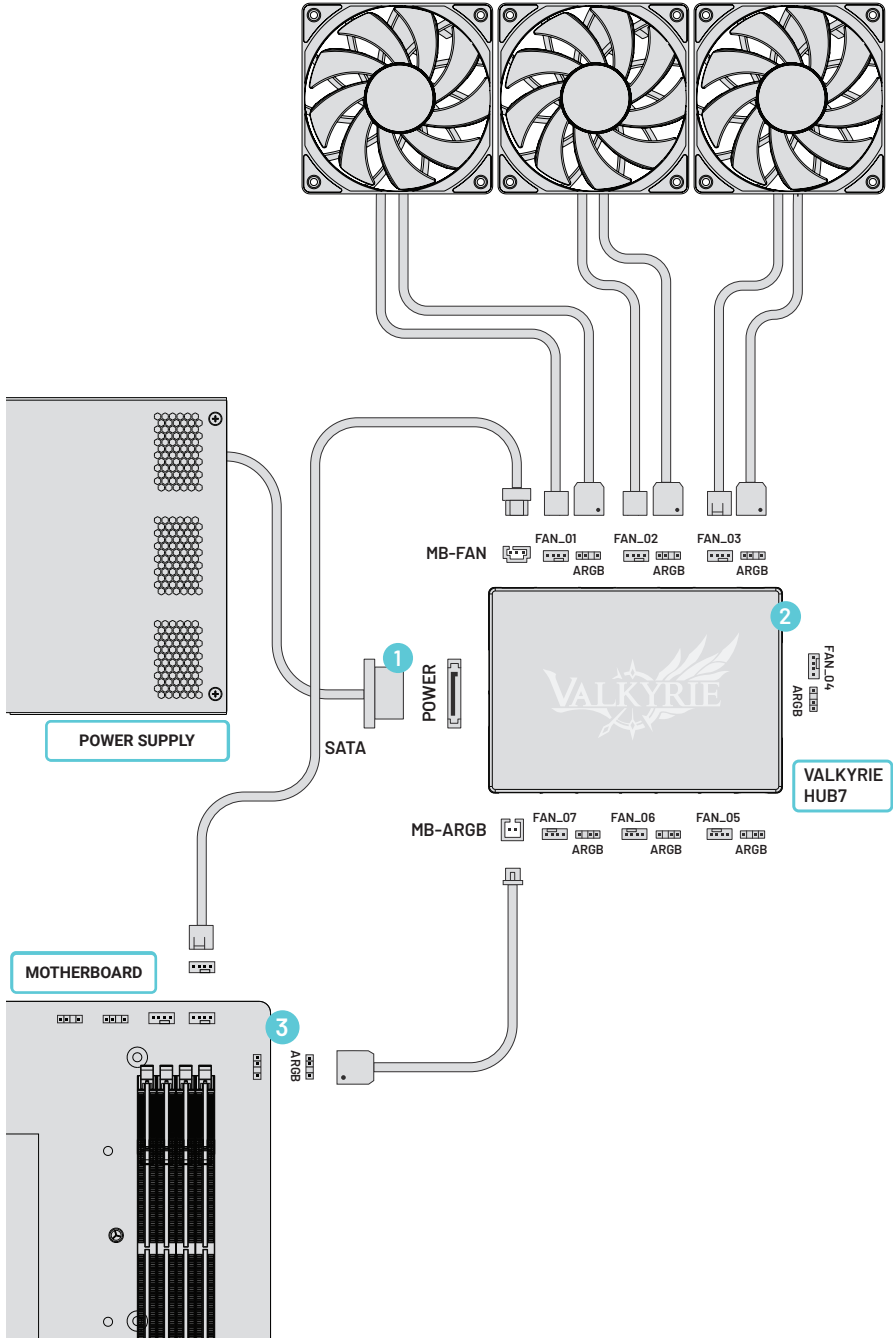
\* If there is only one A-RGB header on the motherboard, the water block A-RGB connector may be connected to the Valkyrie HUB.



## EN Valkyrie HUB Wiring

1. Plug the SATA power supply connector into the Valkyrie HUB POWER port.
2. Plug the 4PIN fan connectors and ARGB connectors into the Valkyrie HUB, respectively.\*
3. Connect Valkyrie HUB control cables to MB\_FAN and MB\_ARGB ports respectively and plug the other ends into the CPU\_FAN and AGRB headers on the motherboard.

\*The FAN\_01 (red) on the VK HUB7 must be plugged in with a 4PIN fan connector.





@my.valkyrie



@myvalkyrieplays



My Valkyrie



@myvalkyrield



@myvalkyrie

**HW Gaming Solution Ltd**

28 Oktovriou 261, View point Tower,  
3035 Limassol, Cyprus

info@my-valkyrie.com  
www.my-valkyrie.com